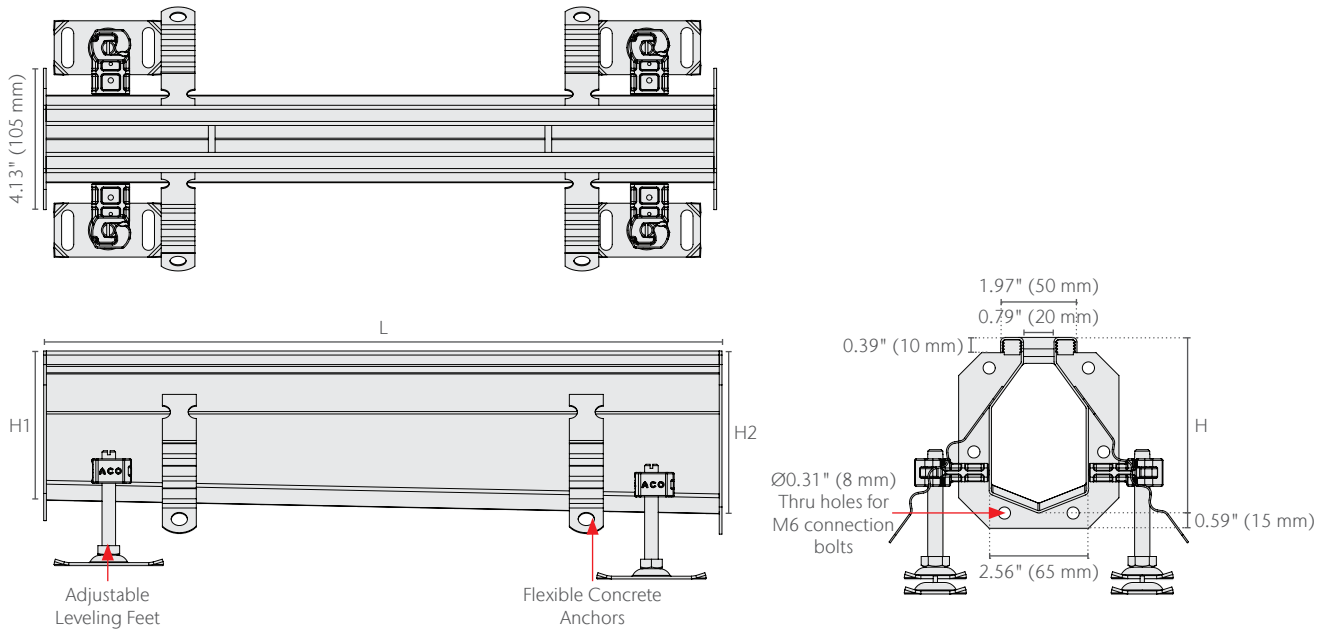


SlotDrain 20 - Sloping Invert Channels



Part No.	Material	Height (H1) in (mm)	Height (H2) in (mm)	Length (L) in (mm)	Weight lbs.	Part No.	Material	Height (H1) in (mm)	Height (H2) in (mm)	Length (L) in (mm)	Weight lbs.
92303	AISI 304	2.76 (70)	2.95 (75)	19.69 (500)	5.07	92353	AISI 316L	2.76 (70)	2.95 (75)	19.69 (500)	5.07
92304	AISI 304	2.95 (75)	3.15 (80)	19.69 (500)	5.29	92354	AISI 316L	2.95 (75)	3.15 (80)	19.69 (500)	5.29
92308	AISI 304	2.76 (70)	2.95 (75)	39.37 (1000)	8.38	92358	AISI 316L	2.76 (70)	2.95 (75)	39.37 (1000)	8.38
92309	AISI 304	2.95 (75)	3.15 (80)	39.37 (1000)	8.60	92359	AISI 316L	2.95 (75)	3.15 (80)	39.37 (1000)	8.60
92313	AISI 304	2.76 (70)	3.15 (80)	78.74 (2000)	15.21	92363	AISI 316L	2.76 (70)	3.15 (80)	78.74 (2000)	15.21
92314	AISI 304	3.15 (80)	3.54 (90)	78.74 (2000)	16.31	92364	AISI 316L	3.15 (80)	3.54 (90)	78.74 (2000)	16.31
92315	AISI 304	3.54 (90)	3.94 (100)	78.74 (2000)	17.42	92365	AISI 316L	3.54 (90)	3.94 (100)	78.74 (2000)	17.42
92319	AISI 304	2.76 (70)	3.15 (80)	118.11 (3000)	22.49	92369	AISI 316L	2.76 (70)	3.15 (80)	118.11 (3000)	22.49
92320	AISI 304	3.15 (80)	3.54 (90)	118.11 (3000)	24.25	92370	AISI 316L	3.15 (80)	3.54 (90)	118.11 (3000)	24.25
92321	AISI 304	3.54 (90)	3.94 (100)	118.11 (3000)	25.79	92371	AISI 316L	3.54 (90)	3.94 (100)	118.11 (3000)	25.79
92322	AISI 304	3.94 (100)	4.33 (110)	118.11 (3000)	27.34	92372	AISI 316L	3.94 (100)	4.33 (110)	118.11 (3000)	27.34
92323	AISI 304	4.33 (110)	4.72 (120)	118.11 (3000)	29.10	92373	AISI 316L	4.33 (110)	4.72 (120)	118.11 (3000)	29.10

Specification Summary

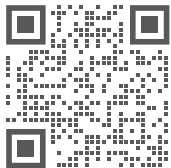
ACO SlotDrain 20 sloping invert channels. Overall length and height varies, see tables. Made from 16 ga (1.5 mm) AISI 304 or AISI 316L, pickle passivated finish. All channels provided with NBR seal and connection bolts on one side. Number of concrete anchors and adjustable leveling feet varies by channel length.

ACO recommends checking local plumbing codes prior to installation.

ACO, Inc.

© January 2026 ACO, Inc.

All reasonable care has been taken in compiling the information in this document. All recommendations and suggestions on the use of ACO products are made without guarantee since the conditions of use are beyond the control of the company. It is the customer's responsibility to ensure that each product is fit for its intended purpose and that the actual conditions of use are suitable. ACO, Inc. reserves the right to change products and specifications without notice.



info@acousa.com
www.acousa.com

